

cetra® 532 whirlpool bath and soaking bath

from the ancient hymns of the greek gods comes cetra®—italian for “lyre”.



Like its namesake, the Cetra® whirlpool bath is an undeniable classic—an uncomplicated, sculptural form, perfect for settings from traditional to contemporary.

whirlpool bath features:

- 4 fully adjustable TheraPro™ jets
- 2 AccuPro™ lumbar jets
- 2 AccuPro™ foot jets (not available on 532 with skirt)
- Sculpted armrest
- Contoured backrest
- Energy-efficient, self-draining pump
- Patented Fixed Air Flow System
- Slip-resistant bottom
- Exclusive Tru-Level™ self-leveling base system
- Drain included on whirlpool baths

cetra® 532 whirlpool bath

model number: T725 – RH, T720 – LH

exterior dimensions:
60" long x 31⁷/₈" wide x 21¹/₄" high

interior dimensions:
42" long x 18" wide

of Jets/type of Jets:
4 TheraPro™ Jets,
2 AccuPro™ Lumbar Jets,
2 AccuPro™ Foot Jets

operating gallons:
43 gallons

cetra® 532 soaking bath

model number: T730

exterior dimensions:
60" long x 31⁷/₈" wide x 21¹/₄" high

interior dimensions:
42" long x 18" wide





Cetra® 532 Whirlpool Bath

Model: T720, T725

Cetra® 532 Bath

Model: T730

Ordering Information

Product Code:

T725 Cetra® 532 Whirlpool Bath
Right Hand

T720 Cetra® 532 Whirlpool Bath
Left Hand

T730 Cetra® 532 Bath

- Right and Left Hand Drain Location
- Accessories / Hardware:
 - TheraPro™ Jet Rings Kit #D095
 - AccuPro™ Jet Rings Kit #P556
- Trim Kit Finishes Available:
 - (827) - Chrome
 - (898) - Brushed Chrome
 - (815) - Satin Nickel
 - (829) - Bright Brass
 - (805) - Platinum
 - (826) - Brushed Nickel
 - (845) - Oil Rubbed Bronze

Installation Notes

Refer to installation instructions included with fixture before beginning installation. Please confirm product availability and specifications before commencing with any installation work.

PRODUCT SPECIFICATIONS AND AVAILABILITY ARE SUBJECT TO CHANGE WITHOUT NOTICE.

Technical Specifications

Dimensions

60" L x 31-7/8" W x 21-1/4" H
(1524 mm) L x (810 mm) W x (540 mm) H

Drain/Overflow

A: 18-1/2" (470 mm) B: 9" (229 mm)

Cutout

58" x 30-1/4"

Total Weight

T720, T725: 697 lb (316 kg) / 53 lb/sq. ft. (256 kg/sq. m)
T730: 663 lb (301 kg) / 50 lb/sq. ft. (244 kg/sq. m)

Operating Gallonage

43 U.S. Gal. (163 Liters)
Max. 57 U.S. Gal. (216 Liters)

Product Weight

T720, T725: 89 lb (40 kg)
T730: 55 lb (25 kg)

Skirt Mounting

Optional U-Frame

Electrical Specifications

Requires a dedicated GFCI protected separate circuit.

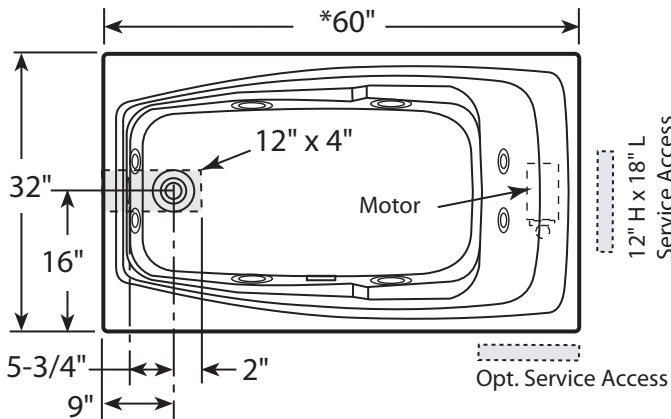
Motor/Pump: 120 VAC, 15 AMP, 60 Hz.

Rapid Heat: 120 VAC, 15 AMP, 60 Hz.

Heater (Optional) Models T720, T725 only

Requires a dedicated GFCI protected separate circuit.

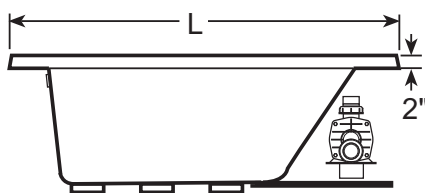
Rapid Heat: P/N S750000



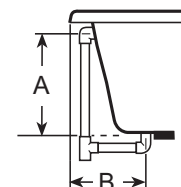
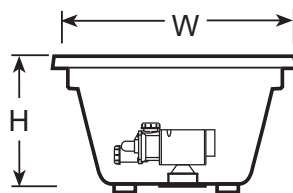
Product Shown: Cetra® 532 Whirlpool Bath Left Hand Model: T720

* Measurements inside unit represent cutout in floor to allow for drain/overflow.

Minimum Service Access dimensions given.



SIDE VIEW



DRAIN/OVERFLOW